

# FSB Handrails

Hands grip ovally





FSB handrails in action: AZ Sint Jan, Bruges

## EN 15804

Made in Germany, for a global idea

[www.fsb.de/EN15804](http://www.fsb.de/EN15804)

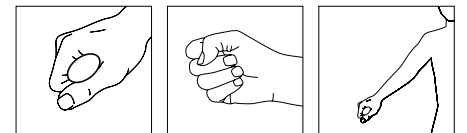
FSB has assumed a pioneering role worldwide by issuing Environmental Product Declarations (EPDs) pursuant to ISO 14 025 and EN 15 804 for specific materials and across different ranges. Find out more about FSB + Sustainability at [www.fsb.de/EN15804](http://www.fsb.de/EN15804)



**Diagonal + oval = safe gripping.** The diagonal-oval design of FSB handrails is wholly in keeping with the principles of ergonomic gripping. The unique forward tilt of the hardware's oval cross-section provides the hand with optimum gripping quality.

An oval cross-section conforms particularly well to the laws governing the anatomy of the hand. The hand encloses the elliptical cross-section comfortably. The effort is distributed evenly between all finger joints and optimum use is made of all parts of the hand including the wrist. As a result, far less force needs to be exerted by the hand to prevent it losing its grip than with a circular cross-section. Oval styling offers the greatest possible support whilst requiring little muscular exertion. The oval section is thus organically predisposed to being adopted as a shape for handles.

This is particularly the case if the oval is rotated through 45 degrees so as to become tilted diagonally forwards. This echoes the spatial sequence gone through when taking hold of something. The arm is in search of direction and support and describes a diagonal motion issuing from the shoulder joint and finding completion in the act of enclosure. A sturdy triangle is thus formed between the hand and shoulder used and the area the person is standing on. This causes bodily force to be transmitted via arm and hand to optimum effect.



# Two materials – double benefits: Stainless Steel

## Brilliantly suited: Stainless Steel

The generic term “stainless steel” now embraces over 100 rust and acid-resistant steels. FSB uses chromium-nickel steel designated as Material No. 1.4301 under German standard DIN 17440. It contains approx. 18% chromium and 8% nickel, a proven alloy in the builder’s trade.

## Properties that speak for themselves

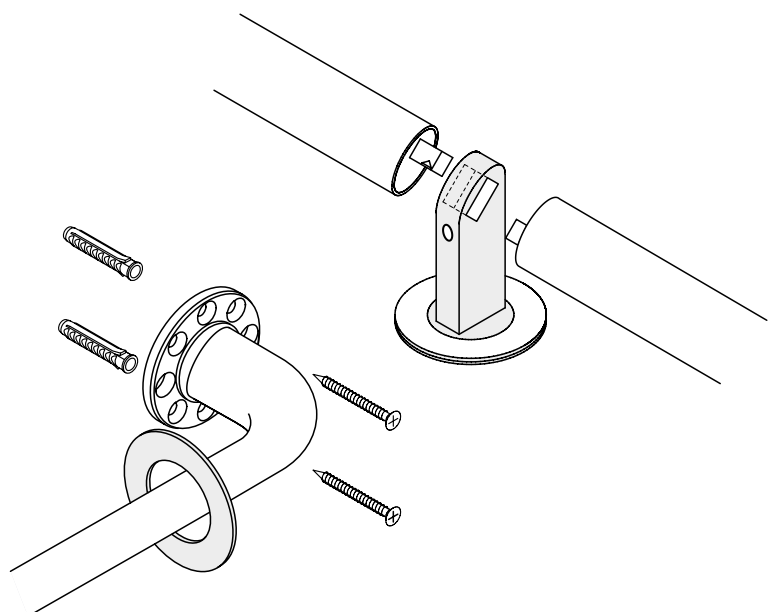
Stainless steel is an excellent choice for bathrooms and sanitary areas because its surface is extremely corrosion-resistant, hardly ever reveals visible bump or scratch marks, is virtually non-wearing even if in constant use, and is very easy to look after. An invisible passive layer forms on its surface that is even claimed to kill bacteria.

## Tough as you like: areas of application

We recommend handrail systems in Stainless Steel for all heavily frequented areas, notably public buildings, hospitals and care homes, office buildings and sports grounds – indeed, wherever people convene in large numbers and there is a need for easy-care hardware with a long service life.

## Assembly

Handrail, curved and end sections are fitted with connector lugs having, on one side, a tapped borehole into which an M6 set screw has been inserted and, on the other, a countersink. Sections are joined together by pushing these connector lugs into retention slots on the bracket and securely fastening them with a Size 3 socket key through a borehole on the underside. The fixing roses feature six boreholes, making for very secure screw fixing. Once assembly has been completed, the fixing roses are concealed by means of Stainless Steel covering profiles.



# Two materials – double benefits: Aluminium

## Simply barrier-free – in Aluminium

From the very beginning, aluminium has been used as a hi-tech material wherever there is a need for both lightness and great durability. The finely structured electrostatic powder coatings (EPC) applied by FSB are far more resilient to cleansers, scratching or wear than conventional powders and procedures. Handrail systems in Aluminium are an ideal, budget-conscious alternative for virtually any application and location.

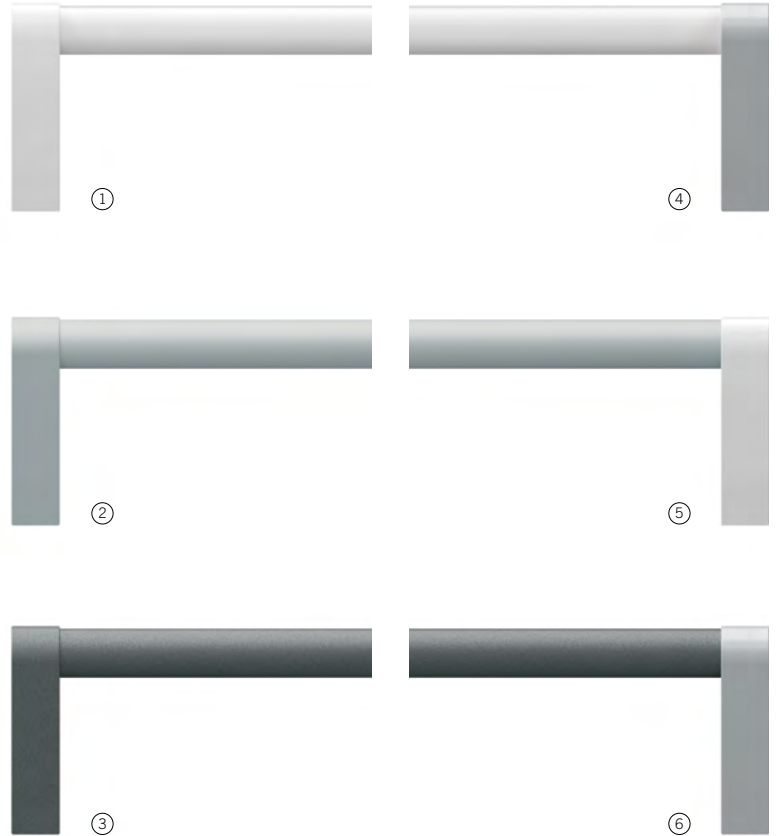
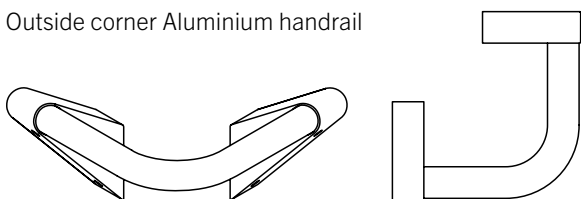
## Optimum visibility indoors

The handrail system in Aluminium can be custom-adapted to specific interiors and settings by dint of its variable colour schemes. The colours of brackets and handrails can be freely combined, as shown alongside, thus generating sufficient contrast to ensure optimum visibility and readability indoors, something that makes life safer and more convenient for elderly people with poor eyesight in particular (brightness reference value).

## Assembly? Simple!

Our Aluminium handrail system cuts quite a dash in assembly terms too: simplified design engineering has given rise to fewer parts and these, in turn, are child's play to fit adopting the assembly-shoe concept. Visible parts and those of importance for the assembly process are decoupled from one another, which considerably simplifies fitting them and lessens the likelihood of errors or damage.

Outside corner Aluminium handrail



### Coatings uni

- ① FSB 8220 Anemone White approximating to RAL 9016
- ② FSB 8803 Oyster Grey approximating to RAL 7040
- ③ FSB 8809 Anthracite Grey Metallic approximating to RAL 7016

### Coatings combined

- ④ FSB 8223: brackets  
FSB 8829 Aluminium Grey Metallic handrail  
FSB 8220 Anemone White
- ⑤ FSB 8810: brackets  
FSB 8220 Anemone White handrail  
FSB 8803 Oyster Grey
- ⑥ FSB 8811: brackets  
FSB 8829 Aluminium Grey Metallic handrail  
FSB 8809 Anthracite Grey Metallic

# Handrail combinations made to measure

---

## Dimensions to order with standard or bespoke coatings

Handrails and bracket configurations are custom-produced by FSB to on-site lists of measurements. We will either assist you directly in arriving at these measurements or put you in touch with fabricators familiar with our system for this purpose. We will likewise be pleased to coordinate the checking and approval of works drawings for a given building, all components feature serial markings for ease of assembly.

All Aluminium components for our Stainless Steel handrails receive a dark-grey coating as standard but can be coated in virtually any RAL colour to order. A choice can be made between in-line and cranked brackets. The two handrail variants in Stainless Steel and Aluminium both include inside and outside corners/curves.



---

## Reversible handrails

The individual handrail segments can be custom-produced in lengths of up to 1,250 mm (just over 49 inches), allowing consideration to be given to existing fixing points or other specific structural features. These may include section subject to revision within which segments can be be reversibly prepared on site.



# Overview

## Handrail Stainless Steel



Handrail  
(brackets in-line or cranked)

6204 Satin Matt

Handrail  
(brackets in-line or cranked)

6205 Polished

## Handrail Aluminium



Handrail

Standard colour combination  
cf. page 4

Handrail

Special RAL shade

If you would like to avail yourself of our measurement service when planning a job, please get in touch with us!



Franz Schneider  
Brakel GmbH + Co KG

Nieheimer Straße 38  
33034 Brakel  
Germany

Phone +49 5272 608-0  
Fax +49 5272 608-300  
[www.fsb.de](http://www.fsb.de) · [info@fsb.de](mailto:info@fsb.de)