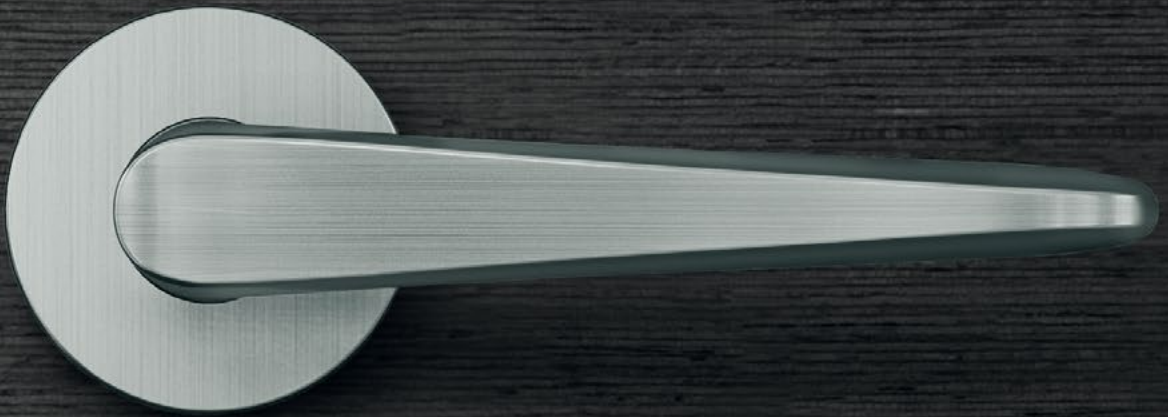


# Door Hardware for Scandinavian Standards



# Green as they come

## FSB on the subject of sustainability

The term “sustainable” is now common coinage but was already being used by FSB at a time when even “ecology” was laughed off somewhat by society as a whole, seemingly the exclusive preserve of people who knitted their own pullovers with organic wool – or at least claimed they did at the time. We began contemplating the ecological implications of production at our Brakel site, along with means of dealing with the burdens inherited, when we launched a project jocularly dubbed a “Clean Change of Underwear” in the 1990s.

We are pioneers in the fields of environmental protection and sustainability – being in possession of EU Eco-Audit validation, certification to ISO 14001, EN 15804 and ISO 50001, and Environmental Product Declarations for sustainable building.

Sustainability is a quite straightforward matter for us: We grasp our products as being “architecture in miniaturised form”. This means we gauge our engineering and design input to suit the service lives of buildings – or of architecture in the broader sense. Civic/Commercial building projects are in the first instance an architectural undertaking and hence one that concerns society as a whole in our eyes. We substantively contribute to such projects with products we grasp as being interfaces between architecture and people.

We have also signally aided the cause of sustainable architecture with environmental product declarations (“EPDs”) pursuant to EN 15804. Our EPDs cover the entire product ranges stocked by FSB comprising more than 25,000 items. We are thus actively supporting a now globally rooted notion that grasps sustainability as lending equal weight to economics, ecology and social factors.

Made in Brakel  Germany



# FSB Lever handles

- Aluminium
- Stainless Steel
- Brass
- Bronze

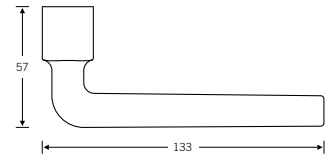
1001

Design: Peter Bastian

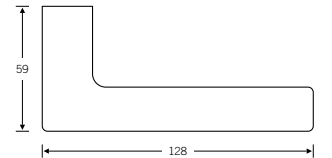


1004

Design: David Chipperfield

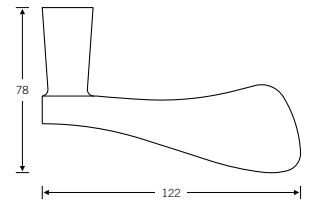


1005

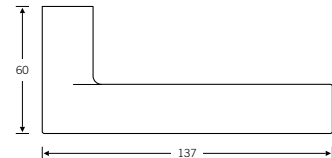


1020

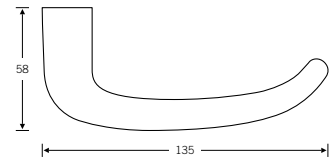
Design: Johannes Potente



1021

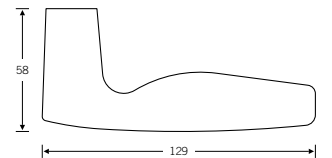


1023



1058

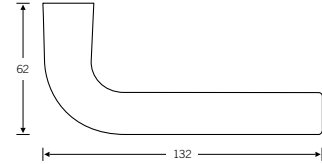
Design: Johannes Potente



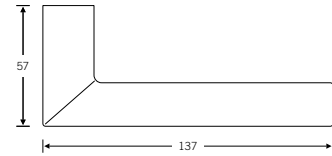
# FSB Lever handles

- Aluminium
- Stainless Steel
- Brass
- Bronze

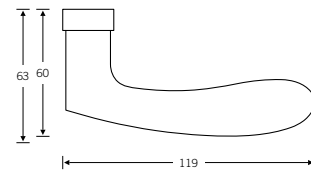
1075



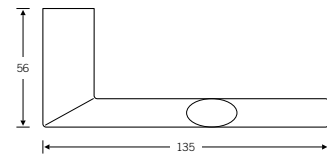
1076



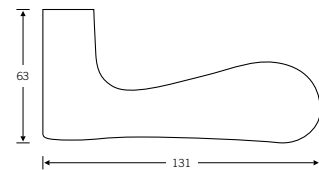
1106      
Design: Christoph Mäckler



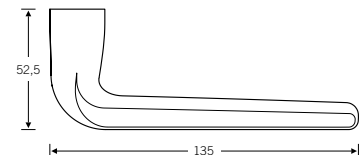
1108    
Design: Hartmut Weise



1144    
Design: Jasper Morrison



1267      
Design: Hartmut Weise



Should you be interested in the complete FSB product range, or should you require further information, please do not hesitate to contact us. You will receive our latest manual in return.

# FSB Roses and Backplates

- Aluminium
- Stainless Steel
- Brass
- Bronze

17 1735 05908



17 1735 05900



17 1735 05954



17 1735 05854



17 1735 05800



73 3247 00100



17 1735 05850



17 1735 09029



73 3247 00200



03 0424 00001    \*



03 0424 00002    \*



14 1524 00001    \*

14 1524 00002    \*



\* Bronze on demand

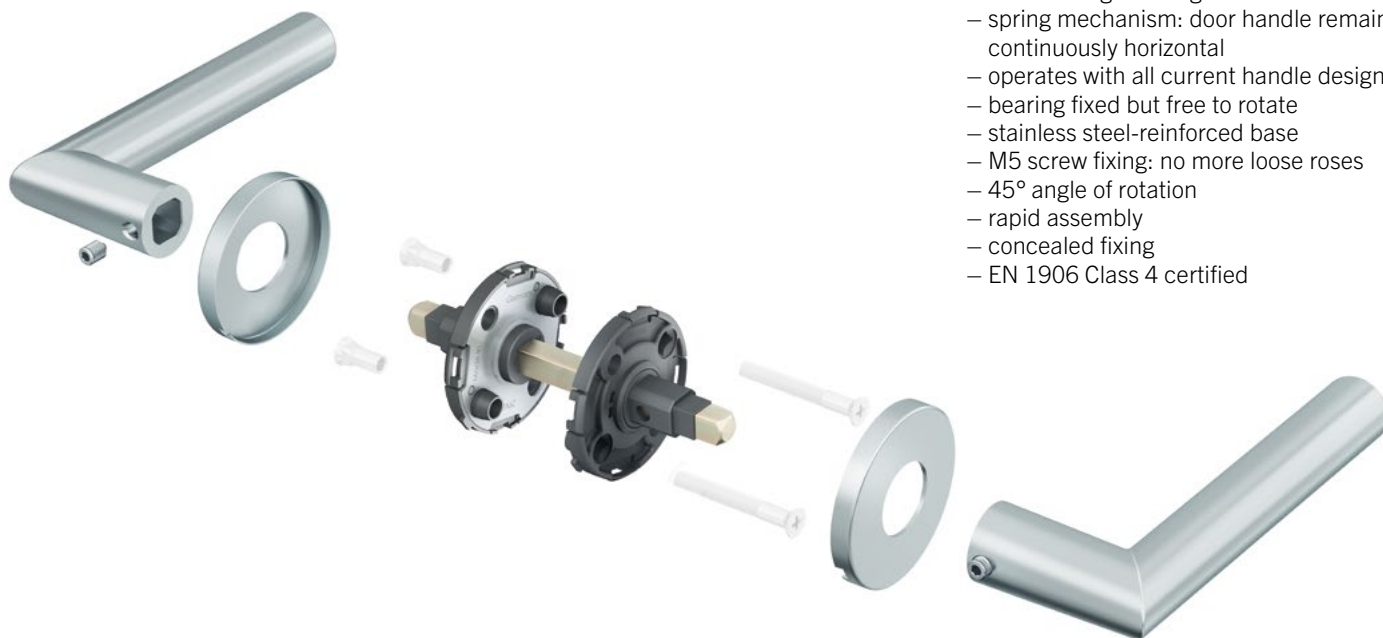
# FSB ASL®

## Lever/Lever Sets

### FSB ASL® – the new bearing from FSB

Your benefits at a glance:

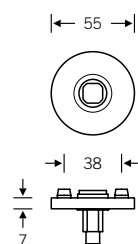
- concealed guide ring
- spring mechanism: door handle remains continuously horizontal
- operates with all current handle designs
- bearing fixed but free to rotate
- stainless steel-reinforced base
- M5 screw fixing: no more loose roses
- 45° angle of rotation
- rapid assembly
- concealed fixing
- EN 1906 Class 4 certified



12 .... 013 

12 .... 01390\* for lock "Assa"  
12 .... 01391\* for lock "Boda"

The FSB ASL® rose variant is always supplied as a set, cf. pages 1–2 for door handle models



\* Accessories to be ordered separately, see pages 14–16

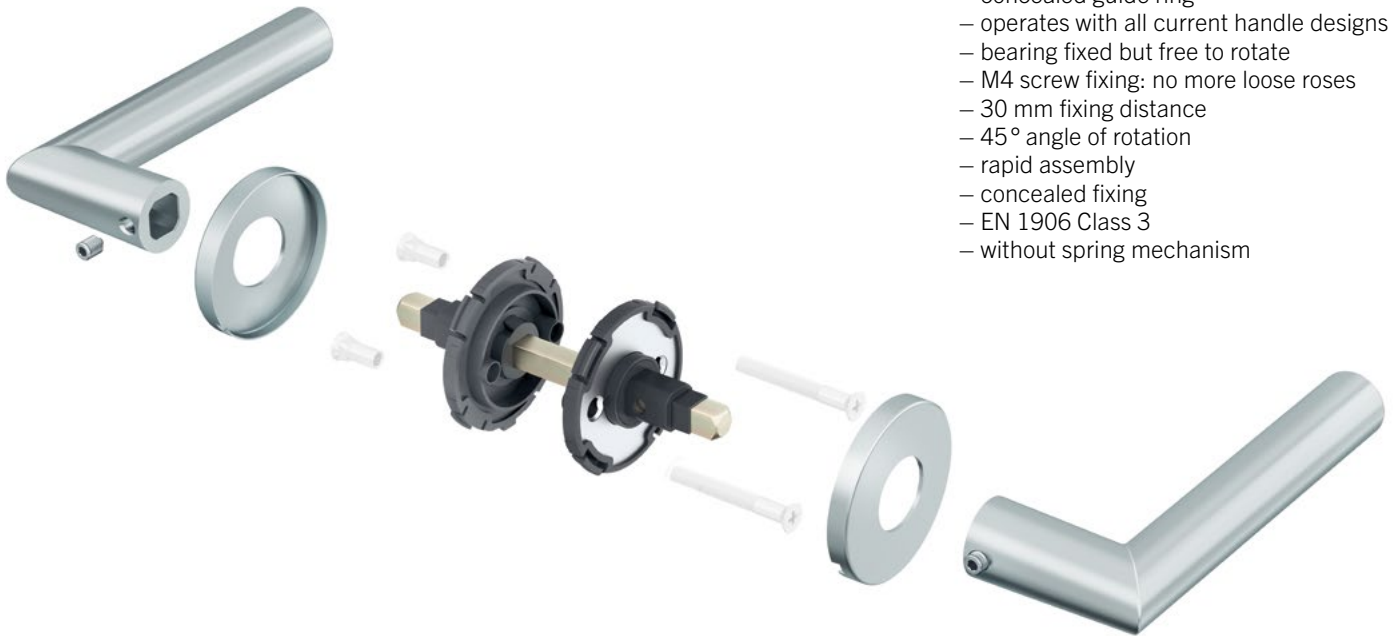
# FSB Adaptor system

## Lever/Lever Sets

### FSB Adaptor system

Your benefits at a glance:

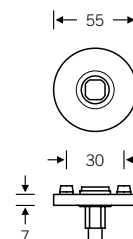
- concealed guide ring
- operates with all current handle designs
- bearing fixed but free to rotate
- M4 screw fixing: no more loose roses
- 30 mm fixing distance
- 45° angle of rotation
- rapid assembly
- concealed fixing
- EN 1906 Class 3
- without spring mechanism



12 .... 013

12 ... 01392\* for "Assa" and "Boda"

The FSB Adaptor system variant is always supplied as a set, cf. pages 1–2 for door handle models



\* Accessories to be ordered separately, see page 17

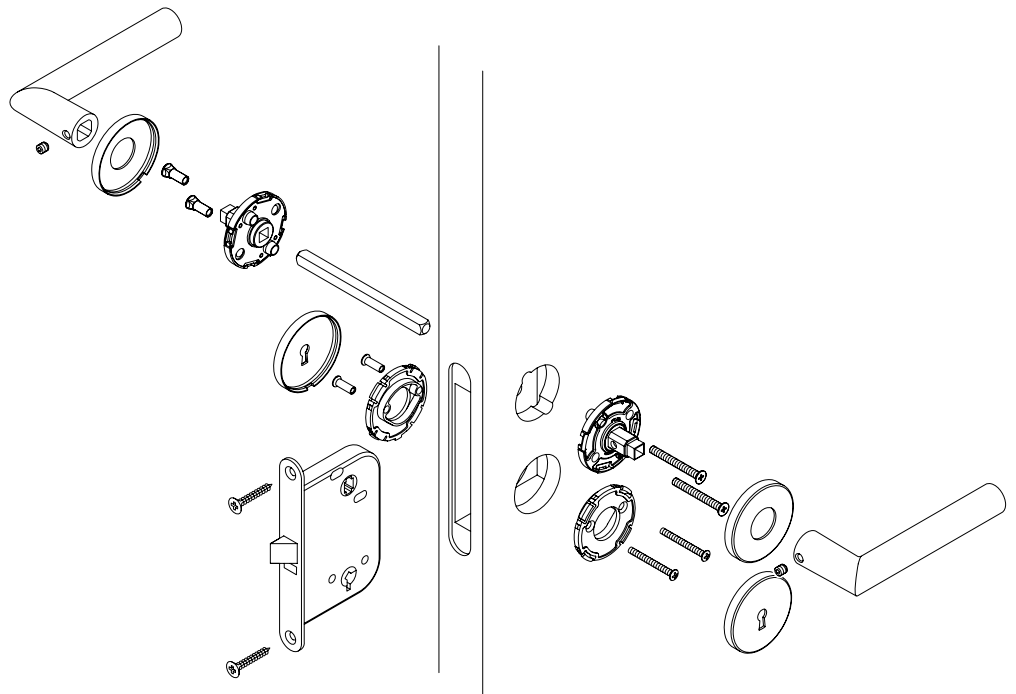
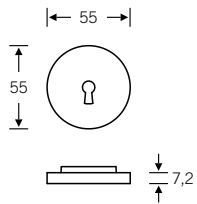
# FSB Roses

for commercial mortise locks (Boda)

17 1735 

17 1735 05908 (Escutcheon)

Also available as blind version  
17 1735 05900



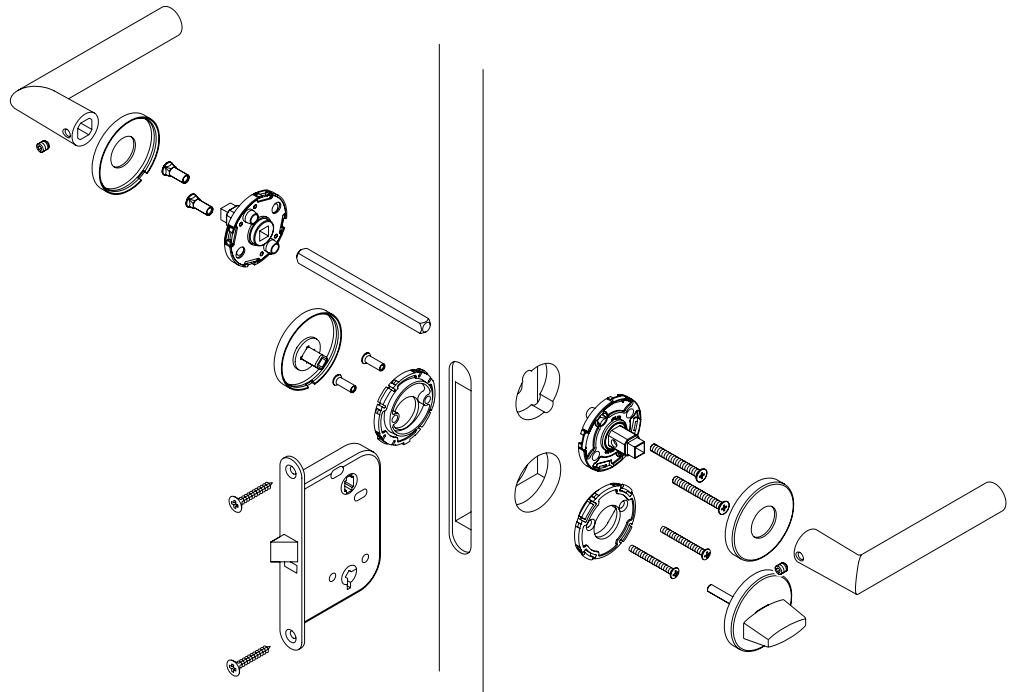
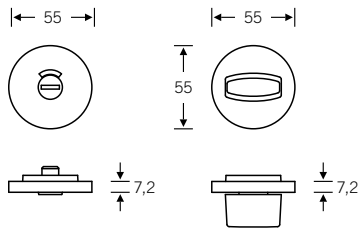
# FSB Roses

for commercial mortise locks (Boda)

17 1735 

17 1735 05954

Bathroom set



# FSB Roses

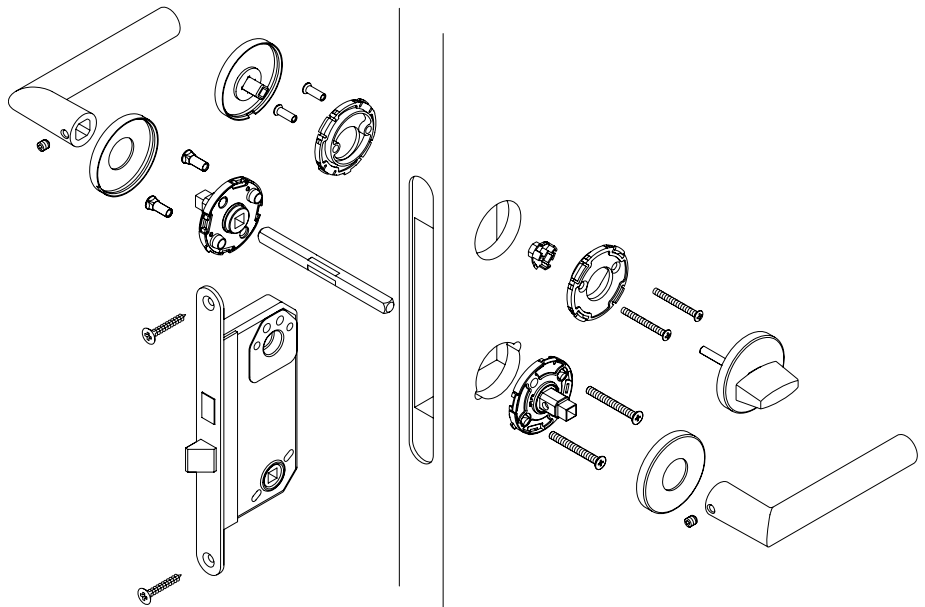
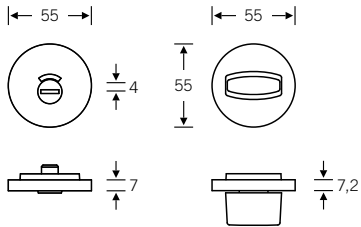
for commercial mortise locks (Assa)

17 1735 

17 1735 05854


Bathroom set

Also available as blind version  
17 1735 05800



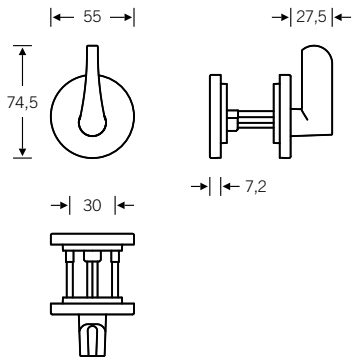
# FSB Roses

for commercial mortise locks (Assa)

17 1735 


17 1735 09029

Bathroom set for disabled persons



# FSB Roses

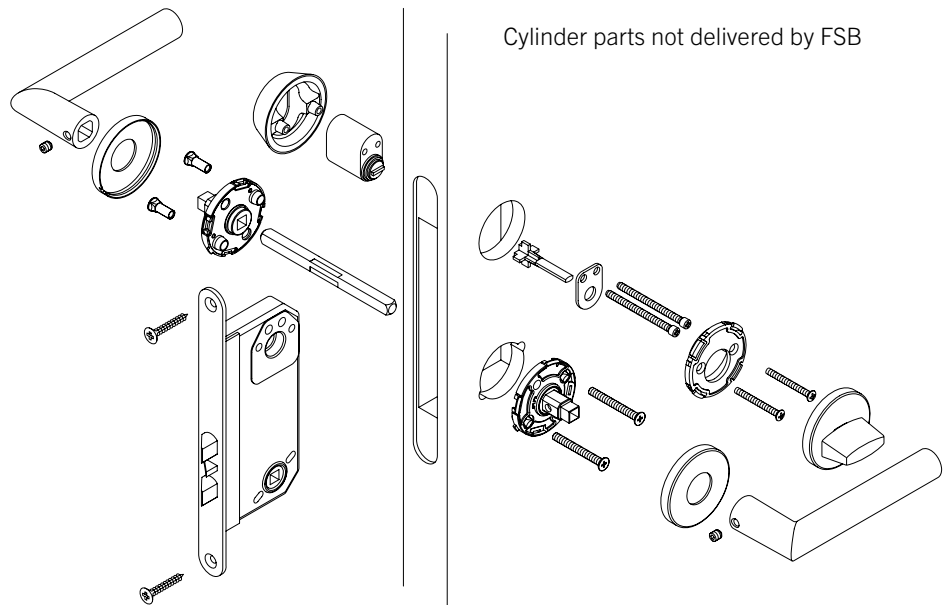
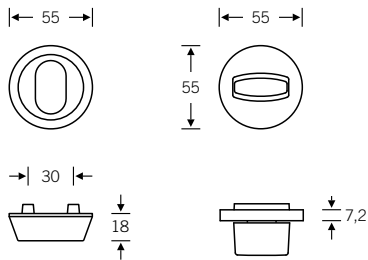
for commercial mortise locks (Assa)

73 3247 | 17 1735 

73 3247 00100 (Escutcheon, outside)  
17 1735 05850 (Thumbturn rose, inside)

Accessory bags  
with two M4 screws

- 05 0501 20411 6000 (DT 36–40 mm)
- 05 0501 20412 6000 (DT 41–45 mm)
- 05 0501 20413 6000 (DT 46–50 mm)
- 05 0501 20414 6000 (DT 51–55 mm)
- 05 0501 20415 6000 (DT 56–60 mm)
- 05 0501 20416 6000 (DT 61–65 mm)
- 05 0501 20417 6000 (DT 66–70 mm)
- 05 0501 20418 6000 (DT 71–75 mm)
- 05 0501 20419 6000 (DT 76–80 mm)



For cylinder projection over 18 mm,  
please order special washers  
73 3299 00001, 3 mm thick

# FSB Roses

for commercial mortise locks (Assa)

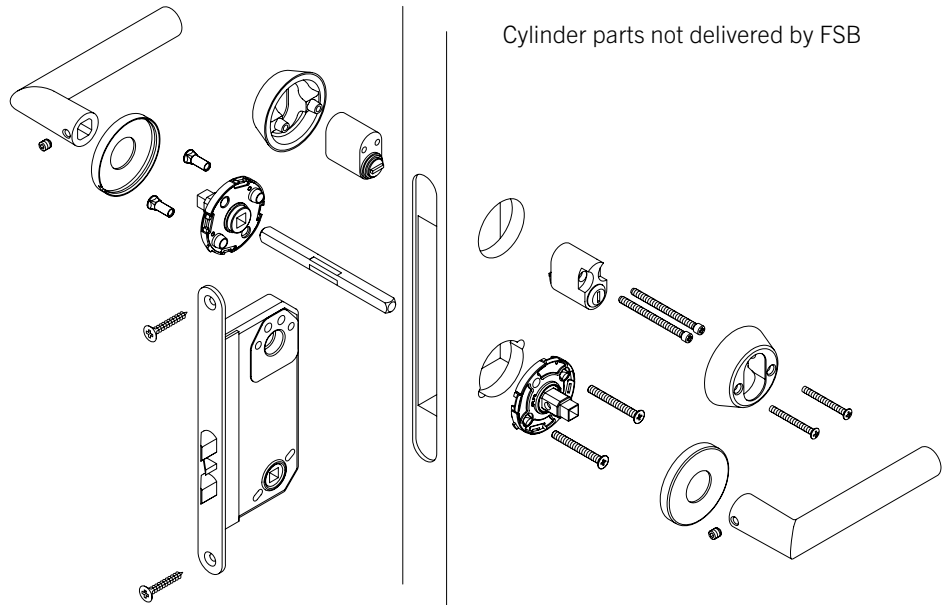
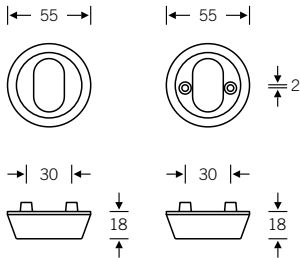
73 3247 

73 3247 00100 (Escutcheon, outside)  
73 3247 00200 (Escutcheon, inside)

Inside version only available in Aluminium  
and Stainless Steel

Accessory bags  
with two M4 screws

- 05 0501 20414 6000 (DT 37–41 mm)
- 05 0501 20415 6000 (DT 42–46 mm)
- 05 0501 20416 6000 (DT 47–51 mm)
- 05 0501 20417 6000 (DT 52–56 mm)
- 05 0501 20418 6000 (DT 57–61 mm)
- 05 0501 20419 6000 (DT 62–66 mm)



$\leftarrow 56,5 \rightarrow$   $\rightarrow \leftarrow 3$



For cylinder projection over 18 mm,  
please order special washers  
73 3299 00001, 3 mm thick

# FSB Backplates

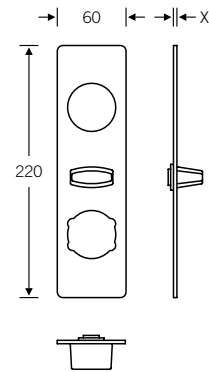
for commercial mortise locks (Assa)

14 1524 \*



14 1524 00001

Backplate incl. turn  
Aluminium (X = 3 mm)  
Stainless Steel (X = 2 mm)  
Bronze (X = 2 mm)

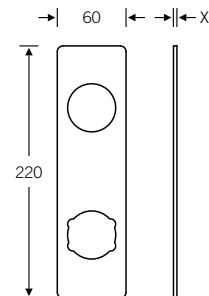


14 1524 \*



14 1524 00002

Backplate  
Aluminium (X = 3 mm)  
Stainless Steel (X = 2 mm)  
Bronze (X = 2 mm)



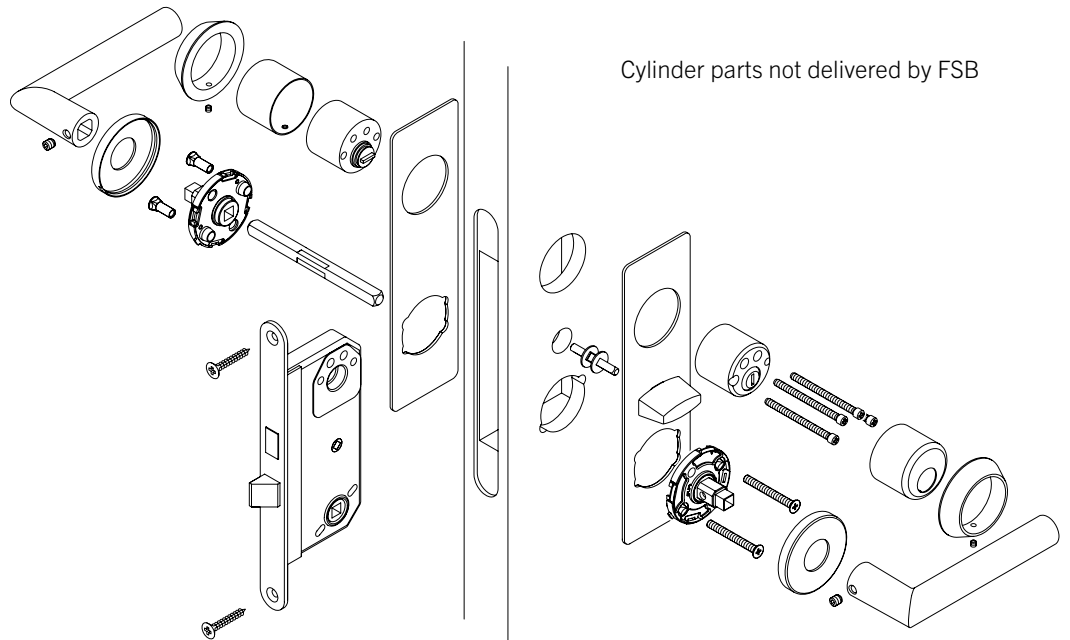
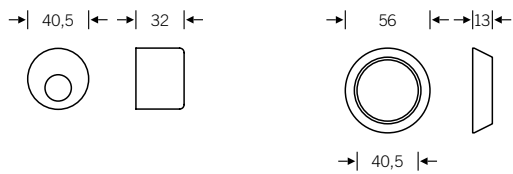
\* Bronze on demand

# FSB Covers

for FSB Backplate 14 1524

03 0424 \*

03 0424 00001 (Cylinder cover)  
03 0424 00002 (Rose cover)



\* Bronze on demand

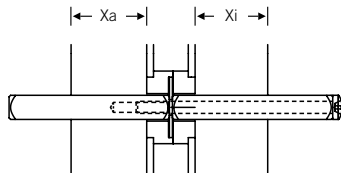
# Accessories

FSB ASL® 12 .... 01390 | 01391

---

05 0569

There are a total of two accessory bags.  
The spindles suit the door thicknesses  
indicated below. Further door thicknesses  
to order.



05 0569 00301 0000 (DT 38–44 mm)  
05 0569 00302 0000 (DT 50–59 mm)  
05 0569 00303 0000 (DT 60–69 mm)  
05 0569 00304 0000 (DT 70–79 mm)

Accessory bags for lock “Assa”  
Divided spindle, cap nut, M5 screws



05 0569 00100 0000 (DT 30–39 mm)  
05 0569 00101 0000 (DT 38–44 mm)  
05 0569 00102 0000 (DT 50–59 mm)  
05 0569 00103 0000 (DT 60–69 mm)  
05 0569 00104 0000 (DT 70–79 mm)  
05 0569 00105 0000 (DT 80–89 mm)  
05 0569 00106 0000 (DT 90–99 mm)  
05 0569 00107 0000 (DT 100–109 mm)

Accessory bag for lock “Boda”  
Full spindle, cap nut, M5 screws

# Accessories

FSB ASL® 12 .... 01390 | 01391

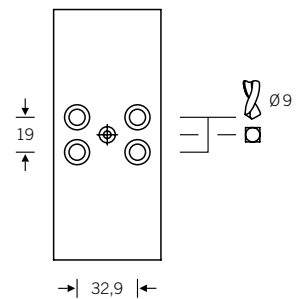
03 0455

03 0455 02000 6000 (for lock "Assa", s. ill.)  
03 0455 02001 6000 (for lock "Boda")

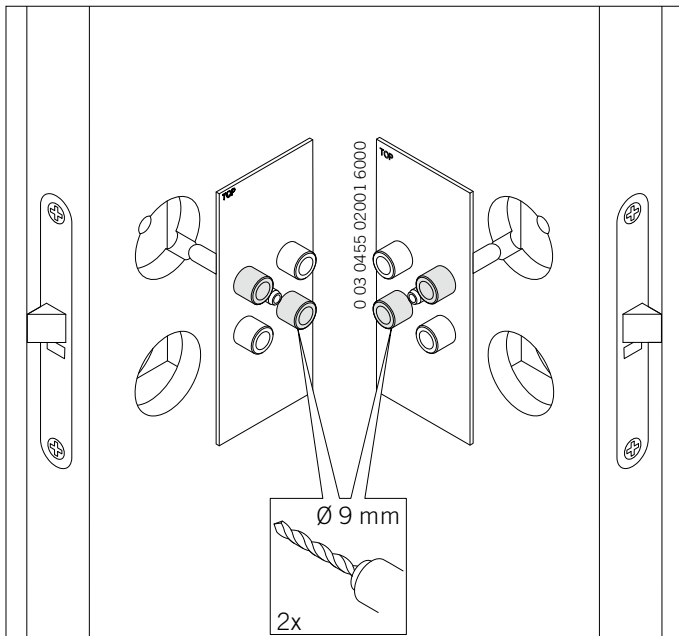
Drilling template

Use must be made of the drilling template where doors have not been predrilled (see illustration alongside).

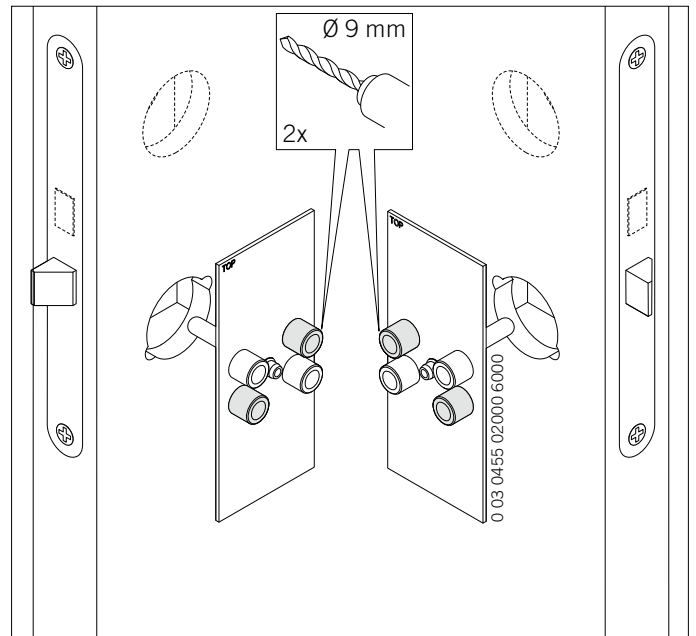
Assembly by authorised staff only.



For lock "Boda"



For lock "Assa"



CNC preparation:  
Please ask for dxf-files

# Accessories

FSB ASL® 12 .... 01390 | 01391

03 0455

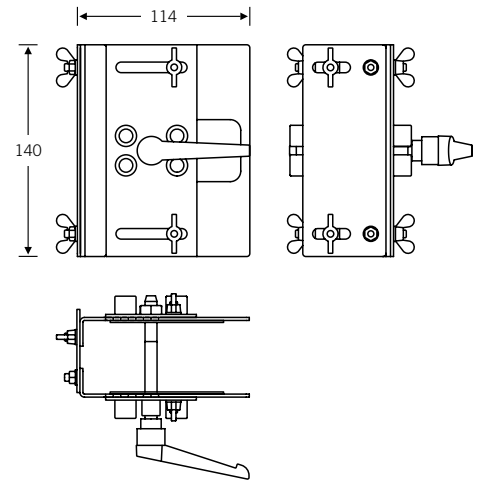


03 0455 02002 6000 (for Assa/Dorma 30°)  
03 0455 02003 6000 (for Boda 45°)

Drilling template

Use must be made of the drilling template where doors have not been predrilled (see illustration alongside).

Assembly by authorised staff only.



CNC preparation:  
Please ask for dxf-files

## Accessories

### FSB Adaptor system 12 .... 01392

---

05 0569



0 05 0569 00401 0000 (DT 32–36 mm)  
0 05 0569 00402 0000 (DT 37–41 mm)  
0 05 0569 00403 0000 (DT 42–46 mm)  
0 05 0569 00404 0000 (DT 47–51 mm)  
0 05 0569 00405 0000 (DT 52–56 mm)  
0 05 0569 00406 0000 (DT 57–61 mm)  
0 05 0569 00407 0000 (DT 62–66 mm)  
0 05 0569 00408 0000 (DT 67–71 mm)  
0 05 0569 00409 0000 (DT 72–76 mm)  
0 05 0569 00410 0000 (DT 77–81 mm)  
0 05 0569 00411 0000 (DT 82–86 mm)  
0 05 0569 00412 0000 (DT 87–91 mm)

Accessory bag for FSB Adaptor System

Full spindle, cap nut, M4 screw

---



Franz Schneider  
Brakel GmbH + Co KG

Nieheimer Straße 38  
33034 Brakel  
Germany

Phone +49 5272 608-0  
[www.fsb.de](http://www.fsb.de) · [info@fsb.de](mailto:info@fsb.de)